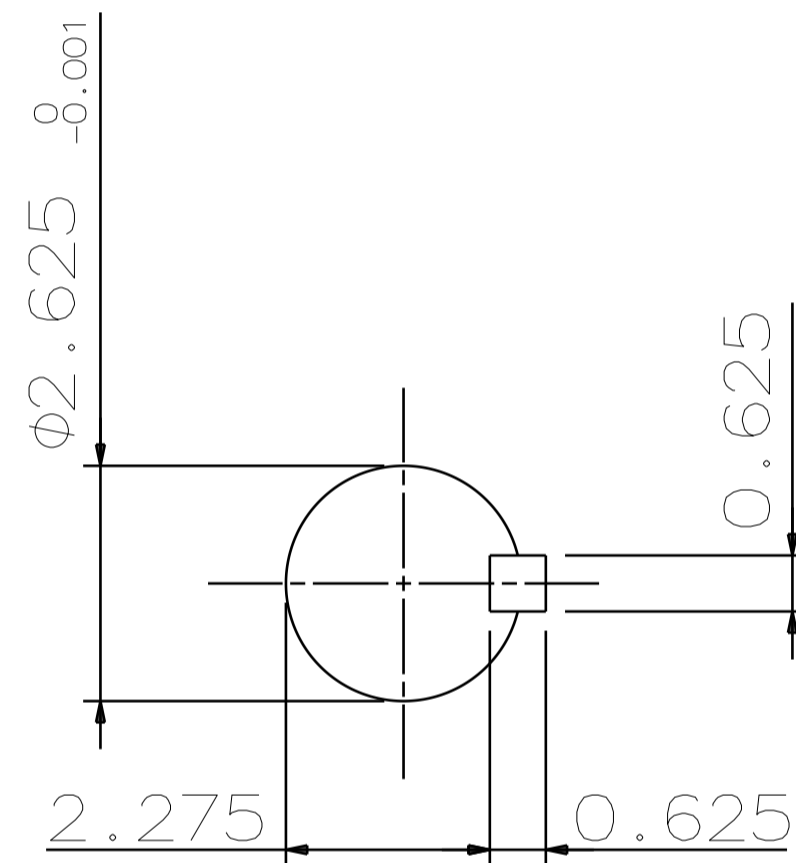
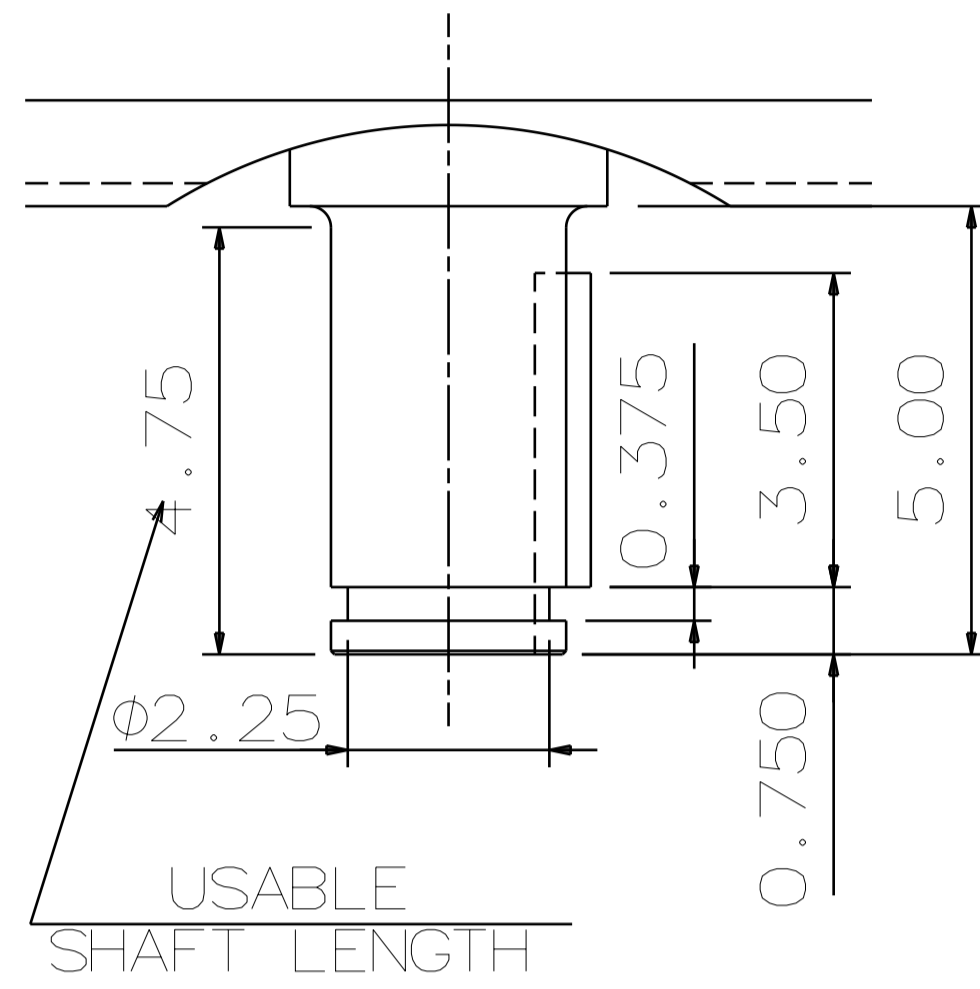


| TYPE | OUTPUT | | POLE | TIME RATING | VOLTAGE V | Hz | SYN. SPEED R.P.M |
|--------|--------|-------|------|-------------|-----------|----|------------------|
| | HP. | kW. | | | | | |
| AEHCED | 200 | 149.1 | 6 | CONT | 2300/4000 | 60 | 1200 |

TOTALLY ENCLOSED FAN-COOLED VERTICAL SOLID SHAFT TYPE, SQUIRREL CAGE ROTOR

NOTE:

1. DIMENSIONS IN INCH
2. FRAME NO. 449VP
3. F CLASS INSULATION, S.F.: 1.15
4. FOR DIRECT COUPLING.
5. BEARING SIZE:
UPPER BEARING: 7326B (UNINSULATED)
LOWER BEARING: 6318C3 (UNINSULATED)
6. LUBRICATION:
UPPER BEARING USE OIL.
OIL VISCOSITY: ISO VG68 [300SSU AT 100°F]
OIL QUANTITY: 1.8 GAL.
LOWER BEARING USE GREASE. (MOBIL POLYREX EM)
7. ROTATION: COUNTER-CLOCKWISE [VIEW FROM TOP].
8. WITH NON-REVERSE RATCHET MECHANISM.
9. APPROXIMATE WEIGHT: 3120
10. DOWNTHRUST: 11,400 LBS (L10-8800HRS)
11. REED FREQUENCY: 35 HZ
12. SPACE HEATER RATED AT 120 VOLT, SINGLE PHASE, 109 WATTS, LEADS TERMINATE IN MAIN LEAD BOX.



- A OIL FILLER [UPPER BEARING]
- B OIL GAUGE [UPPER BEARING]
- C OIL DRAIN [UPPER BEARING]
- D GREASE INLET [LOWER BEARING]
- E GREASE DISCHARGER [LOWER BEARING]
- F 2~M16 VERTICAL JACKING HOLES 180° APART IN MOTOR BASE.
- G M10 TAPPED HOLE IN MOTOR BASE WITH GROUNDING TERMINAL [R38-10] & BOLT LOCATED AS SHOWN.

| | | |
|---------------------|-------------------------|--|
| DATE DEC 08 2016 | OUTLINE DIMENSIONS | |
| VSKTP2006 | 3-PHASE INDUCTION MOTOR | |
| DWG NO. 4B040L419 | REV:00 | |

| | | |
|-------|---------|---------------|
| DWN. | Y. YANG | MAY. 23. 2015 |
| CHKD. | R. LEE | MAY. 23. 2015 |
| APPD. | C. LIU | MAY. 23. 2015 |

TECO Westinghouse